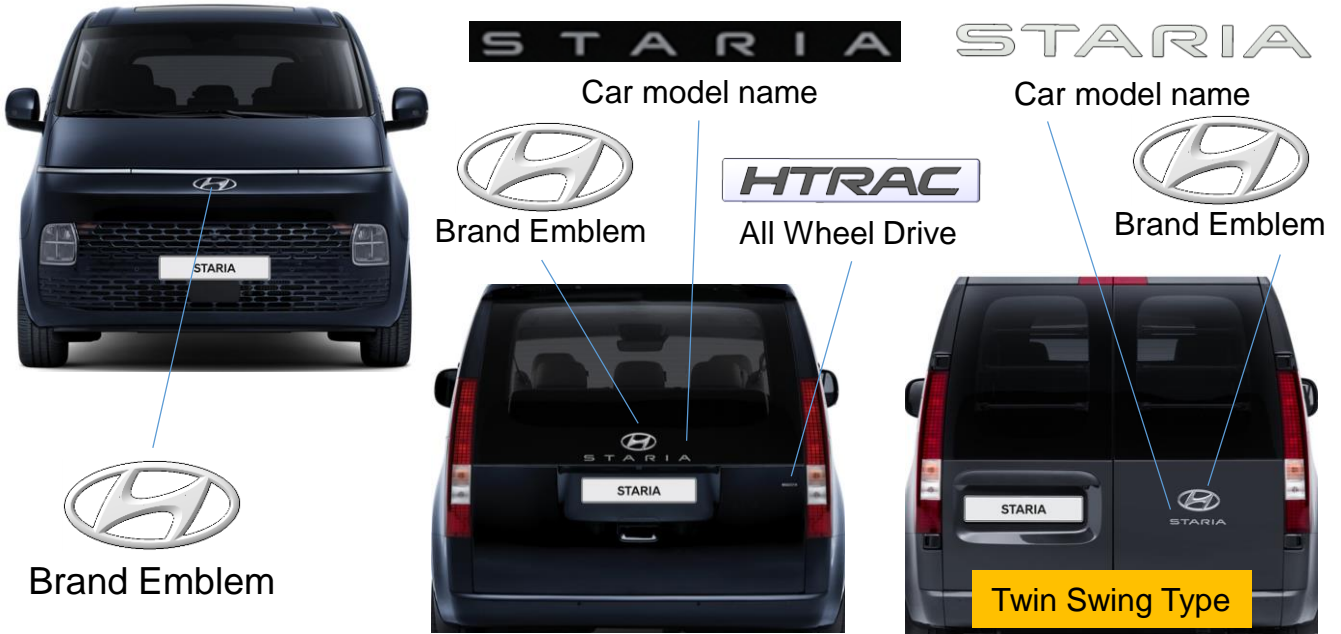


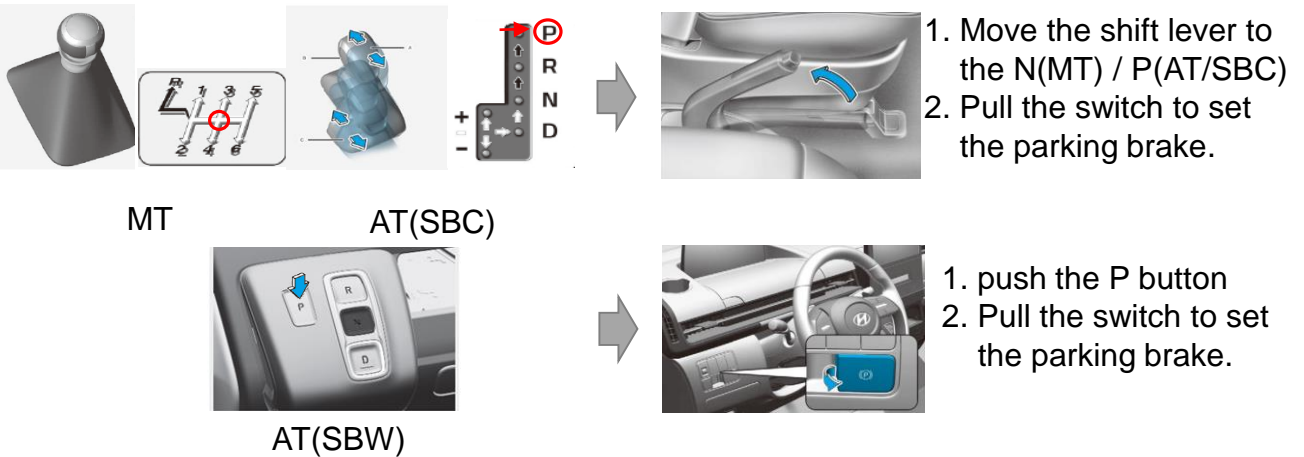
|  |                                      |  |                              |  |   |  |                                  |  |                                     |
|--|--------------------------------------|--|------------------------------|--|---|--|----------------------------------|--|-------------------------------------|
|  | Airbag                               |  | Stored gas inflator          |  | Seat belt pretensioner                            |  | SRS control unit                 |  | Pedestrian protection active system |
|  | Automatic rollover protection system |  | Gas strut / Preloaded spring |  | High strength zone                                |  | Zone requiring special attention |  | High voltage component              |
|  | Battery low-voltage                  |  | Ultra-capacitor, low voltage |  | Fuel tank   |  | Gas tank                         |  | Safety value                        |
|  | Battery pack, high-voltage           |  | High voltage power cable     |  | High voltage device that disconnects high voltage |  | Fuse box disabling high voltage  |  | High voltage ultra capacitor        |

# 1. Identification / recognition

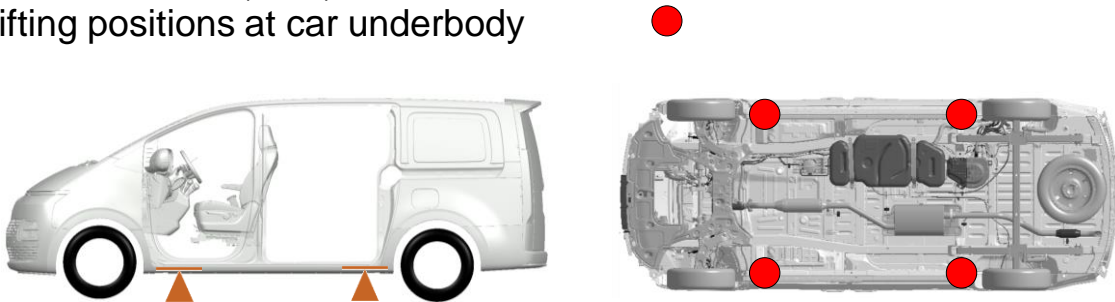


# 2. Immobilisation / stabilisation / lifting

## ■ Immobilisation



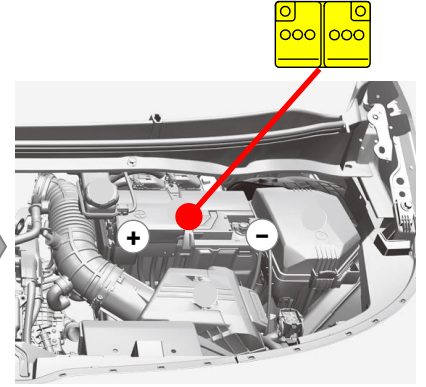
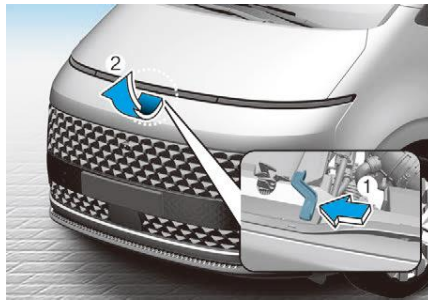
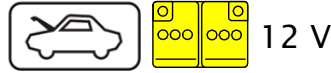
## ■ Lifting positions at car underbody



Do not place cribbing such as wooden blocks or rescue air lifting bags under the exhaust system, fuel system or high voltage power cables. The failure will cause of fire, electric shock or gas leak.

### 3. Disable direct hazards / safety regulations

#### ■ Access to 12V battery



1. Pull the release lever to unlatch the hood. The hood should pop open slightly.

2. Go to the front of the vehicle, raise the hood slightly, push the secondary latch (1) up side and lift the hood (2).

Battery in the engine room

#### ■ Disabling procedure

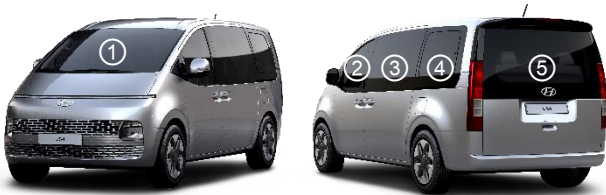
① Turn the ignition switch off

② Disconnect the negative(-) terminal

③ Disconnect the positive(+) terminal

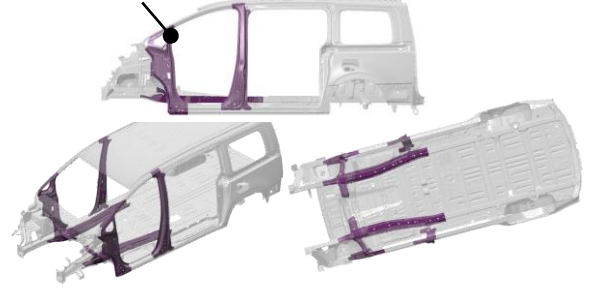
#### ■ Glass

1 : Laminated  
2-5 : Tempered



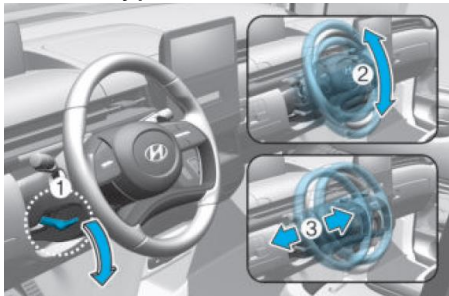
#### ■ Vehicle body

Hardened Steel



#### ■ Steering column adjustment

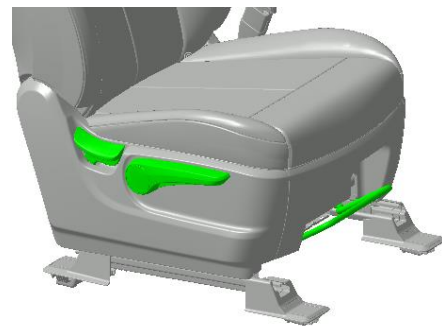
Manual type





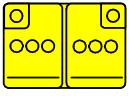

- Pull down the lock release lever(①)
- Adjust the steering wheel angle (②) and height(③)

#### ■ Seat adjustment

1<sup>st</sup> row : Mechanical



## 5. Stored energy / liquids / gases / solids

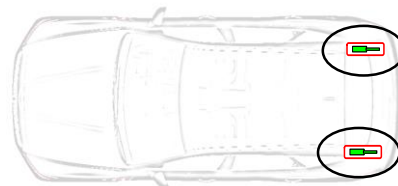
|   |   |          |
|---|---|----------|
|   |  | max. 75L |
|  |  | 12 V     |

## 6. In case of fire

### ■ Gas Strut

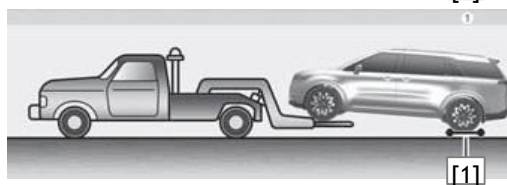
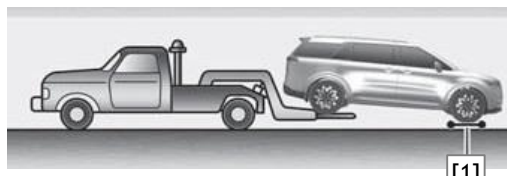
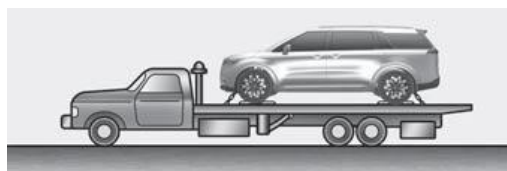


Risk of missile effect of tailgate.  
(Liftup type only, not applied for twinswing type)

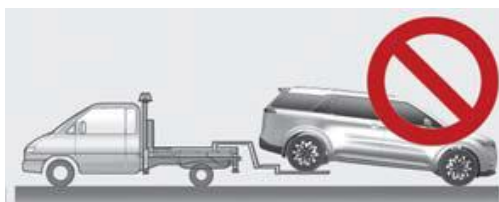


## 8. Towing / transportation / storage

**OK :**



**Not OK :**



[1] : Dolly

Notice: AWD (All Wheel Drive) vehicle must be towed with all wheels off the ground, either on a flatbed tow truck or using dollies.